

FLOOR PLAN

1

FIRST FLOOR

SCALE: 1/8" = 1'-0"

ARCH REF: 1/A.1.0
 1/A.1.2
 WS/A3.1
 SDS/A3.1
 Details/A3.1

QUANTITY: TYPE 1 - 5, TYPE 2 - 1,
TYPE 3 - 1, TYPE 4 - 1,
TYPE 5 - 1, TYPE 10 - 1
TYPE 11 - 2

GLASS WALL SYSTEM(S):

OLDCASTLE, SERIES FG 5100T IMPACT RESISTANT STOREFRONT
 OLDCASTLE, SERIES FG 2000 STOREFRONT
 OLDCASTLE, SERIES STORMMAX MS-375 MEDIUM STILE ENTRANCE
 ON FG 5100 FRAMING

SIX FLAGS GLASS
 108 E AIRLINE RD VICTORIA, TX 77901
 (W) 361-573-9612 (F) 361-573-2334

PROJECT: PAWS AND TAWS
NEW BUILDING
 ARCHITECT: BURNS ARCHITECTS, LLC
 (817) 247-6640
 GENERAL CONTRACTOR: WEAVER & JACOBS CONSTRUCTORS, INC.
 (361) 277-9274

PROJECT NO. SFG-1904-05

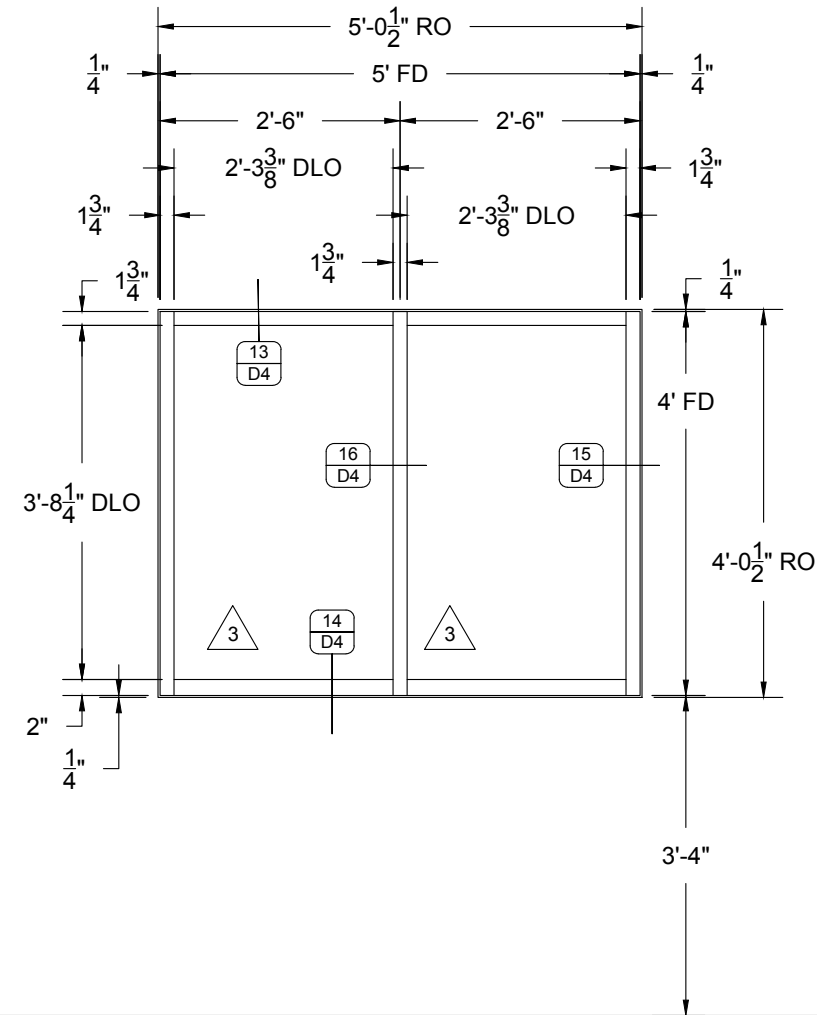
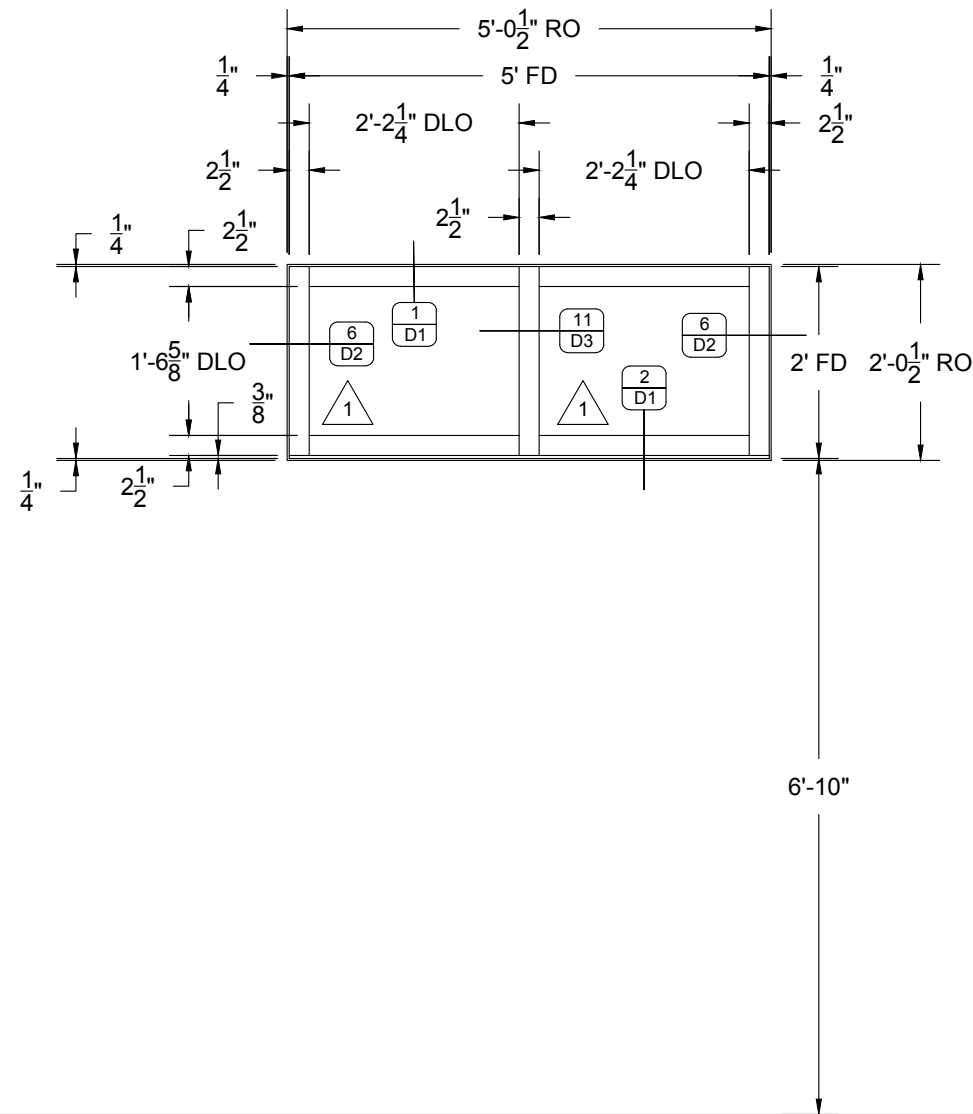
DRAWN BY: fp DATE: 06/05/19

SCALE: NTS

DRAWING: FLOOR PLANS

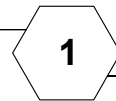
SHEET: P1

NO.	DATE	DESCRIPTION
1	06/05/19	First Submittal



ELEVATION

QUANTITY: 5
 SCALE: 1/2" = 1'-0"
 ARCH REF: 1/A1.0
 1/A1.2
 WS/A3.1
 1/A3.1
 WINDOW NUMBER(S):
 WA102B
 WA103
 WA105
 WA106
 WA107

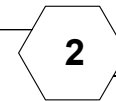


1 STOREFRONT WINDOW

OLDCASTLE, SERIES FG 5100T ALUMINUM STOREFRONT

ELEVATION

QUANTITY: 1
 SCALE: 1/2" = 1'-0"
 ARCH REF: 1/A1.0
 1/A1.2
 WS/A3.1
 2/A3.1
 WINDOW NUMBER(S):
 WA102A



2 STOREFRONT WINDOW

OLDCASTLE, SERIES FG 2000 ALUMINUM STOREFRONT

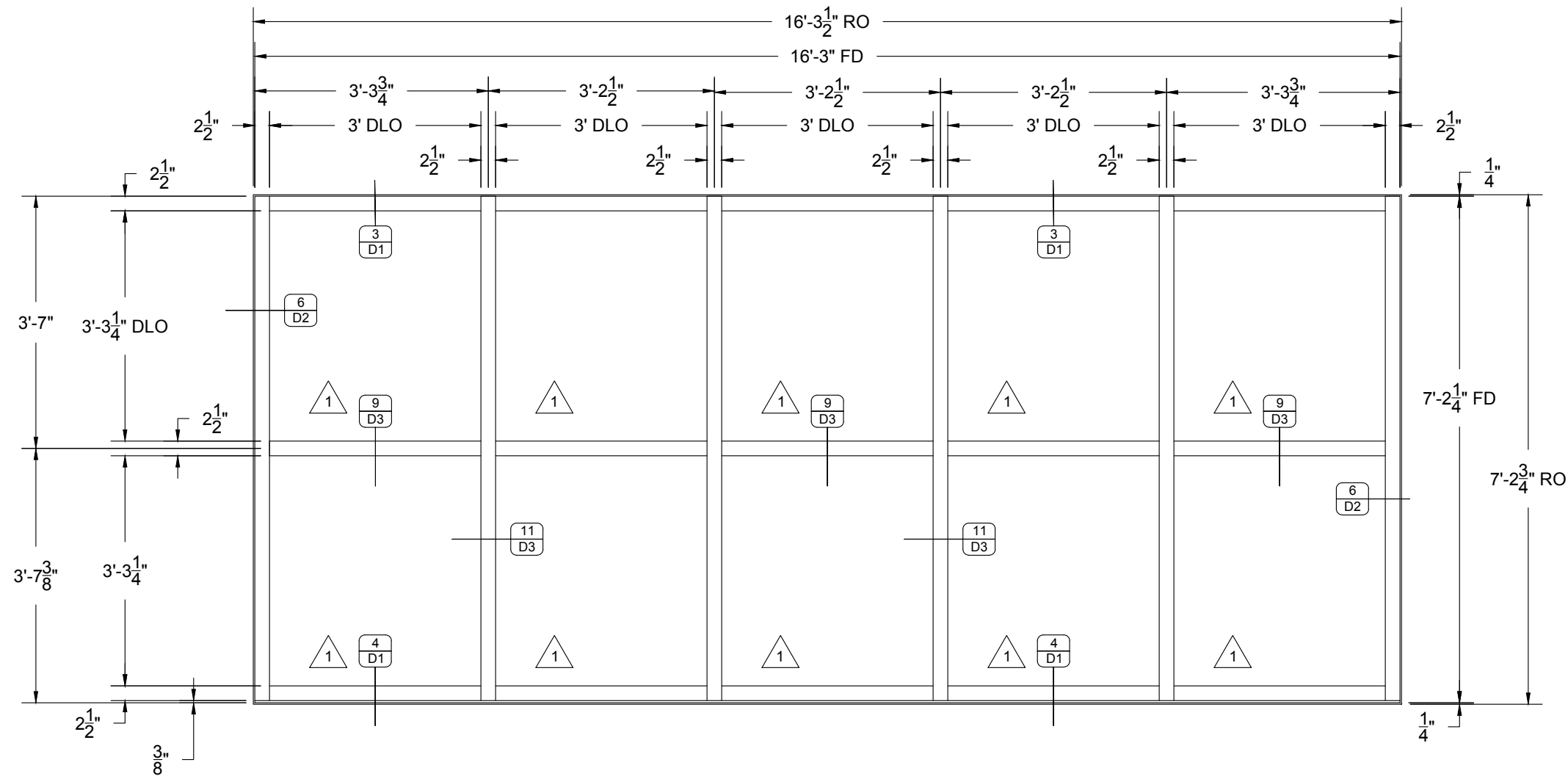
NOTE: ANCHORING TYPES AND SPACING IS FOUND ON ANCHORING SHEET "A1" AND REFERENCE SHEETS "R1-R4".

NO.	DATE	DESCRIPTION
1	06/05/19	First Submittal

SIX FLAGS GLASS
 108 E AIRLINE RD VICTORIA, TX 77901
 (W) 361-573-9612 (F) 361-573-2334

PROJECT: PAWS AND TAWS
NEW BUILDING
 ARCHITECT: BURNS ARCHITECTS, LLC
 (817) 247-6640
 GENERAL CONTRACTOR: WEAVER & JACOBS CONSTRUCTORS, INC.
 (361) 277-9274

PROJECT NO.	SFG-1904-05
DRAWN BY	fp
DATE	06/05/19
SCALE	1/2" = 1'-0"
DRAWING	ELEVATIONS
SHEET	E1



ELEVATION

QUANTITY: 1
 SCALE: 1/2" = 1'-0"
 ARCH REF: 1/A1.0
 1/A1.2
 WS/A3.1
 3/A3.1
 WINDOW NUMBER(S):
WA115A



3 STOREFRONT WALL

OLDCASTLE, SERIES FG 5100T ALUMINUM STOREFRONT

NOTE: ANCHORING TYPES AND SPACING IS FOUND ON ANCHORING SHEET "A1" AND REFERENCE SHEETS "R1-R4".

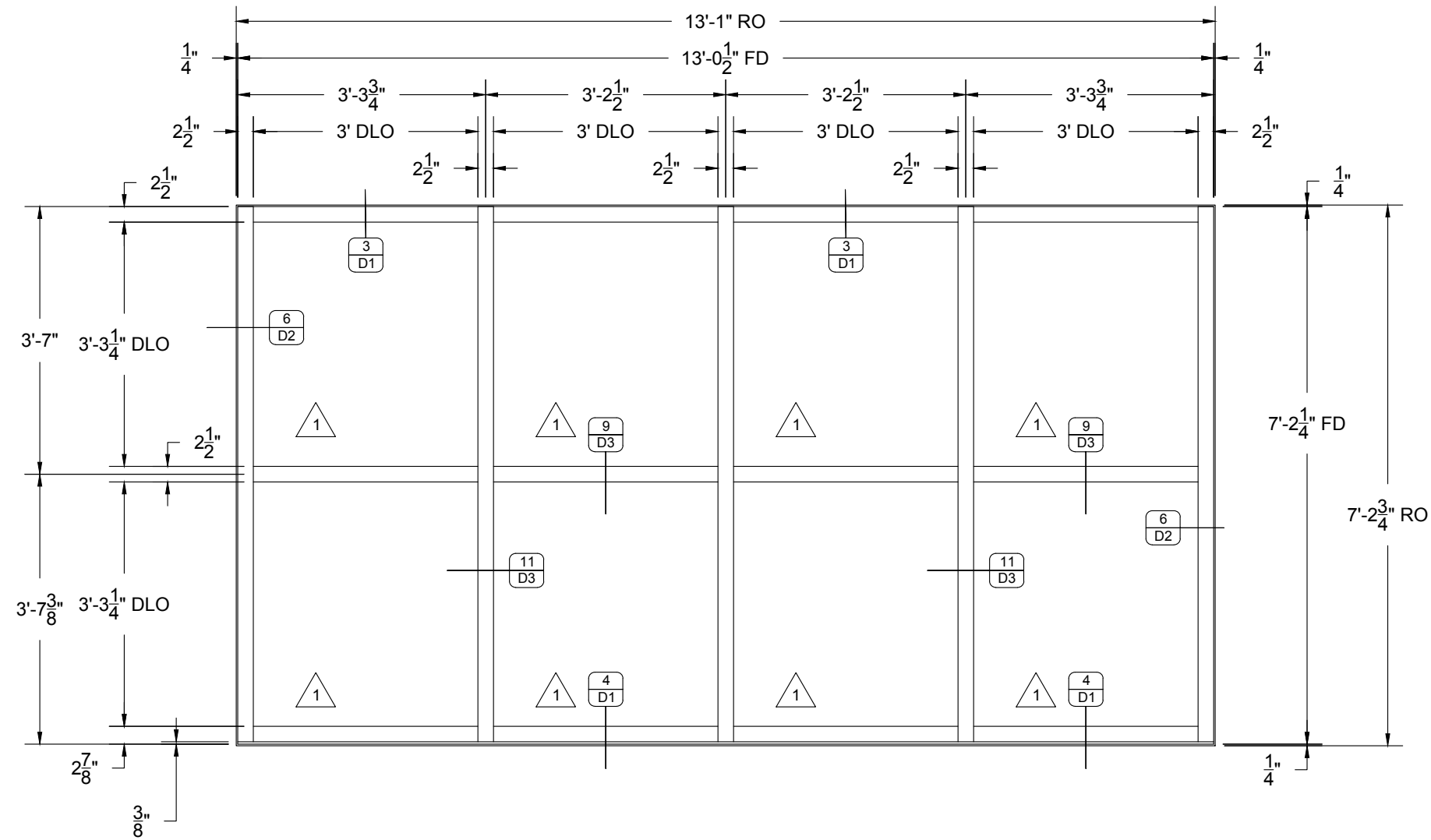
NO.	DATE	DESCRIPTION
1	06/05/19	First Submittal

SIX FLAGS GLASS

108 E AIRLINE RD VICTORIA, TX 77901
 (W) 361-573-9612 (F) 361-573-2334

PROJECT: PAWS AND TAWS
NEW BUILDING
 ARCHITECT: BURNS ARCHITECTS, LLC
 (817) 247-6640
 GENERAL CONTRACTOR: WEAVER & JACOBS CONSTRUCTORS, INC.
 (361) 277-9274

PROJECT NO.	SFG-1904-05
DRAWN BY	fp
DATE	06/05/19
SCALE	1/2" = 1'-0"
DRAWING	ELEVATIONS
SHEET	E2



ELEVATION

QUANTITY: 1
 SCALE: 1/2" = 1'-0"
 ARCH REF: 1/A1.0
 1/A1.2
 WS/A3.1
 4/A3.1
 WINDOW NUMBER(S):
WA115B



4 STOREFRONT WALL

OLDCASTLE, SERIES FG 5100T ALUMINUM STOREFRONT

NOTE: ANCHORING TYPES AND SPACING IS FOUND ON ANCHORING SHEET "A1" AND REFERENCE SHEETS "R1-R4".

NO.	DATE	BY	DESCRIPTION
1	06/05/19	fp	First Submittal

SIX FLAGS GLASS

108 E AIRLINE RD VICTORIA, TX 77901
 (W) 361-573-9612 (F) 361-573-2334

PROJECT: PAWS AND TAWS
NEW BUILDING
 ARCHITECT: BURNS ARCHITECTS, LLC
 (817) 247-6640
 GENERAL CONTRACTOR: WEAVER & JACOBS CONSTRUCTORS, INC.
 (361) 277-9274

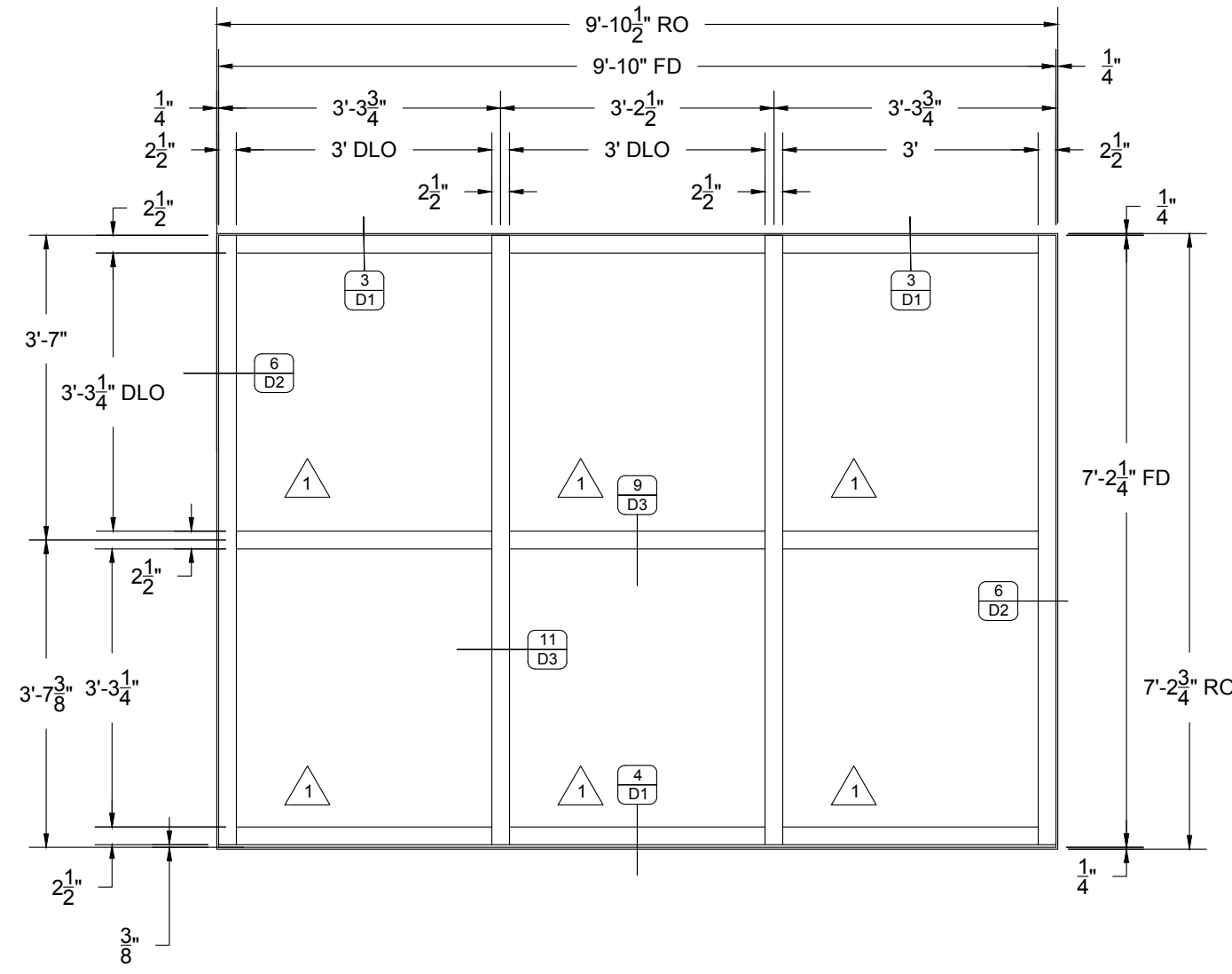
PROJECT NO. SFG-1904-05

DRAWN BY: fp DATE: 06/05/19

SCALE: 1/2" = 1'-0"

DRAWING: ELEVATIONS

SHEET: E3



ELEVATION

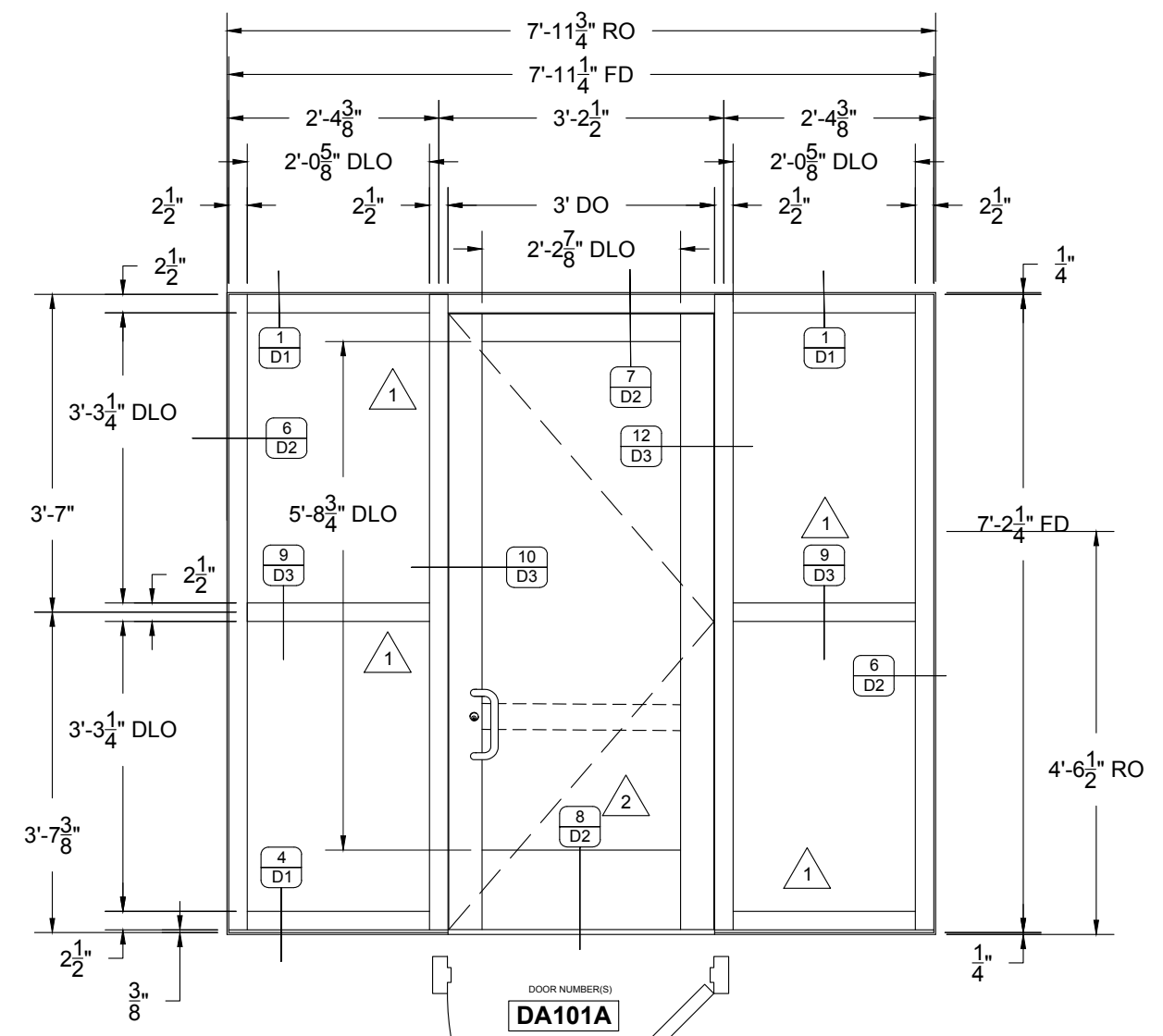
QUANTITY: 1
 SCALE: 1/2" = 1'-0"
 ARCH REF: 1/A1.0
 1/A1.2
 WS/A3.1
 5/A3.1
 WINDOW NUMBER(S):
WA115C



5 STOREFRONT WALL

OLDCASTLE, SERIES FG 5100T ALUMINUM STOREFRONT

NOTE: ANCHORING TYPES AND SPACING IS FOUND ON ANCHORING SHEET "A1" AND REFERENCE SHEETS "R1-R4".



HARDWARE: SPECIFICATION SECTION #08 70 00 - 3.6, SH-5

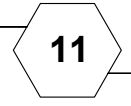
CVR PANIC LOCKS, W/ STD. PANIC PULLS
 3 BUTT HINGES PER LEAF
 LCN 4040 SURFACE CLOSER
 OLDCASTLE #D18 SWEEP
 OLDCASTLE #TH49 THRESHOLD
 OLDCASTLE #FG5163 STOPS
 WEATHER STRIPPING
 STD. 10" ADA COMPLIANT BOTTOM RAIL

DOOR NUMBER(S)
DA101A

DOOR NUMBER(S)
DA101B

ELEVATION

QUANTITY: 2
 SCALE: 1/2" = 1'-0"
 ARCH REF: 1/A1.0
 1/A1.2
 SDS/A3.1
 11/A3.1
 DOOR NUMBER(S):
DA101A
DA101B



11 GLASS ENTRANCE

OLDCASTLE, SERIES FG 5100T ALUMINUM STOREFRONT
 OLDCASTLE, SERIES STORMMAX MS-375 MEDIUM STILE ENTRANCE

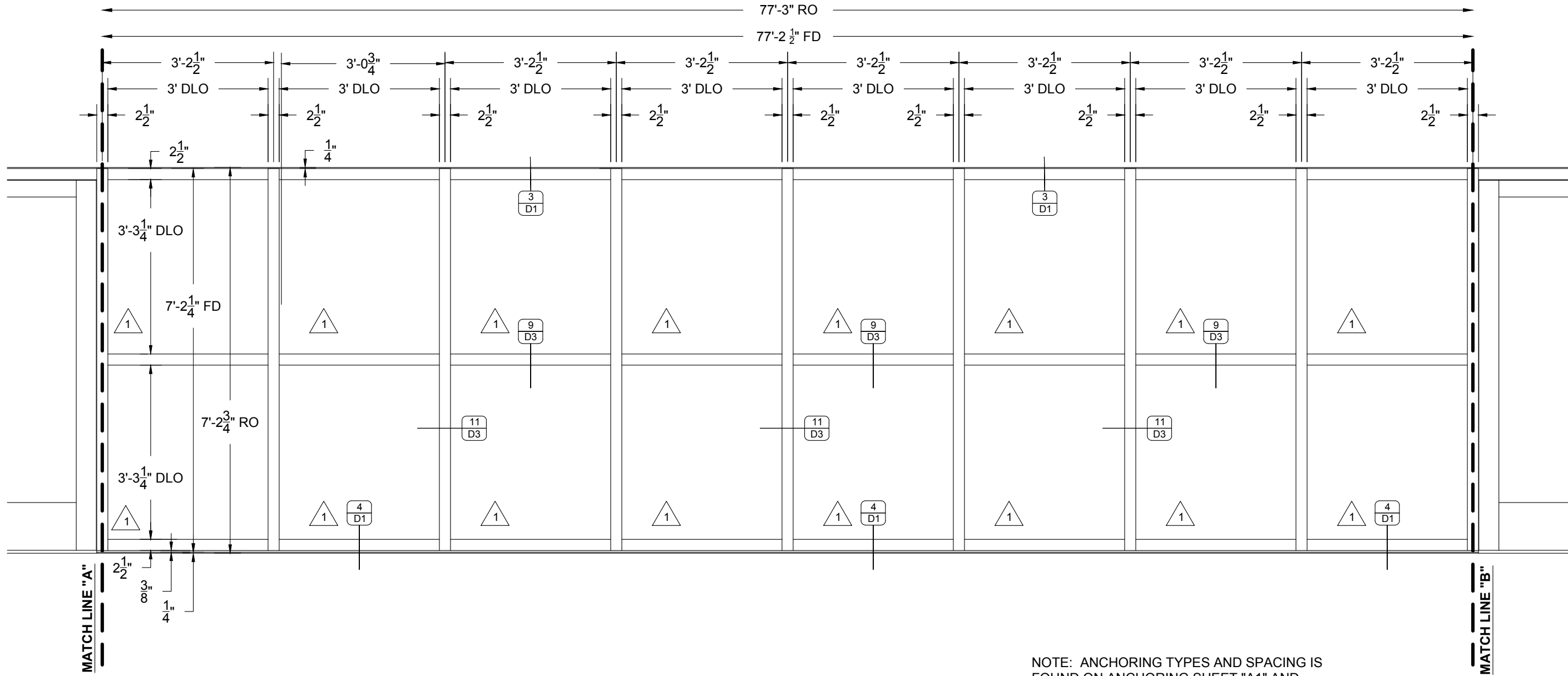
NO.	DATE	DESCRIPTION
1	06/05/19	First Submittal

SIX FLAGS GLASS

108 E AIRLINE RD VICTORIA, TX 77901
 (W) 361-573-9612 (F) 361-573-2334

PROJECT
PAWS AND TAWS
NEW BUILDING
 ARCHITECT
BURNS ARCHITECTS, LLC
 (817) 247-6640
 GENERAL CONTRACTOR
WEAVER & JACOBS CONSTRUCTORS, INC.
 (361) 271-9274

PROJECT NO.	SFG-1904-05
DRAWN BY	fp
DATE	06/05/19
SCALE	1/2" = 1'-0"
DRAWING	ELEVATIONS
SHEET	E4



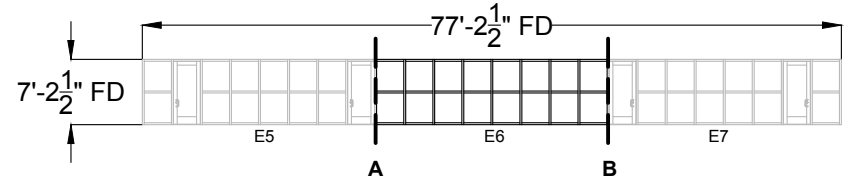
NOTE: ANCHORING TYPES AND SPACING IS FOUND ON ANCHORING SHEET "A1" AND REFERENCE SHEETS "R1-R4".

ELEVATION

QUANTITY: 1
 SCALE: 1/2" = 1'-0"
 ARCH REF: 1/A1.0
 1/A1.2
 SDS/A3.1
 10/A3.1
 DOOR NUMBER(S):
 NONE THIS PAGE

10 ENTRANCE WALL
 OLDCASTLE, SERIES FG 5100T ALUMINUM STOREFRONT

"10" ELEVATION KEY

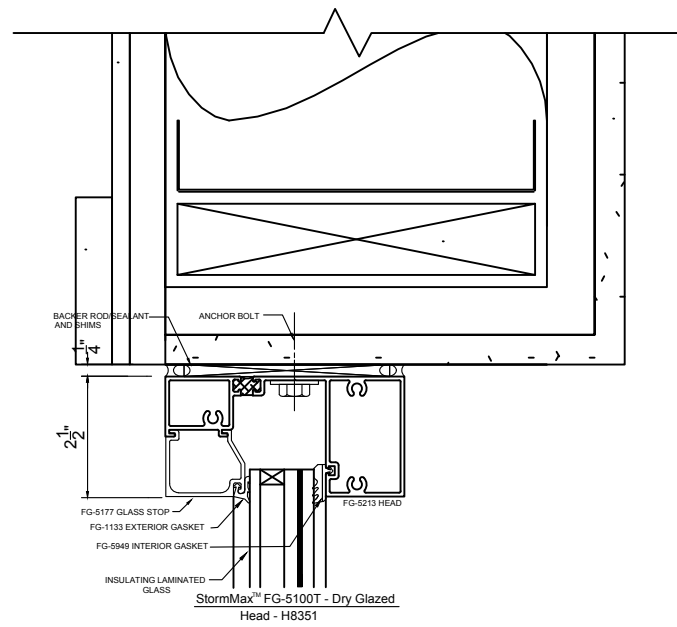


NO.	DATE	DESCRIPTION
1	06/05/19	First Submittal

SIX FLAGS GLASS
 108 E AIRLINE RD VICTORIA, TX 77901
 (W) 361-573-9612 (F) 361-573-2334

PROJECT: PAWS AND TAWS
NEW BUILDING
 ARCHITECT: BURNS ARCHITECTS, LLC
 (817) 247-6640
 GENERAL CONTRACTOR: WEAVER & JACOBS CONSTRUCTORS, INC.
 (361) 271-9274

PROJECT NO.	SFG-1904-05
DRAWN BY	fp
DATE	06/05/19
SCALE	1/2" = 1'-0"
DRAWING	ELEVATIONS
SHEET	E6



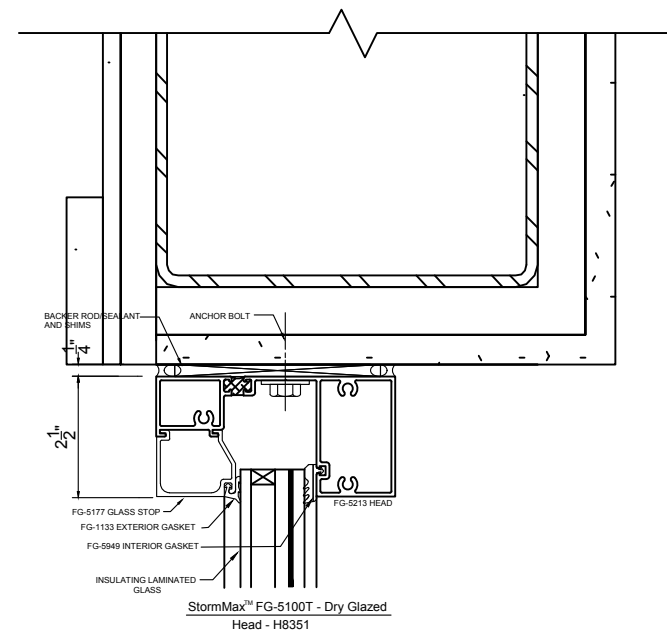
DETAIL

1

HEAD

SCALE: 3" = 1'-0"
 ARCH REF: SDS/A3.1
 WS/A3.1
 H3/A3.1

GLASS WALL SYSTEM TYPE:
 OLDCASTLE, SERIES FG 5100T STOREFRONT



DETAIL

3

HEAD

SCALE: 3" = 1'-0"
 ARCH REF: SDS/A3.1
 WS/A3.1
 H7/A3.1

GLASS WALL SYSTEM TYPE:
 OLDCASTLE, SERIES FG 5100 T STOREFRONT

NOTE:
 THE ALUMINUM STOREFRONT SYSTEM IS AN ENGINEERED SYSTEM. THE ANCHORING SUBSTRATE MUST BE CONSTRUCTED TO COMPLY WITH THE ANCHORING REQUIREMENTS SET OUT BY THE TDI PRODUCT EVALUATION DOCUMENTS. ANY DEVIATION THERETO WILL REQUIRE THE ANCHORING TO BE ENGINEERED BY THE ENGINEER ON RECORD.

SEE ANCHORING REQUIREMENTS ON SHEETS "A1" AND THE REFERENCE SHEETS OF THESE DRAWINGS.

DETAIL

2

SILL

SCALE: 3" = 1'-0"
 ARCH REF: WS/A3.1
 S1/A3.1

GLASS WALL SYSTEM TYPE:
 OLDCASTLE, SERIES FG 5100T STOREFRONT

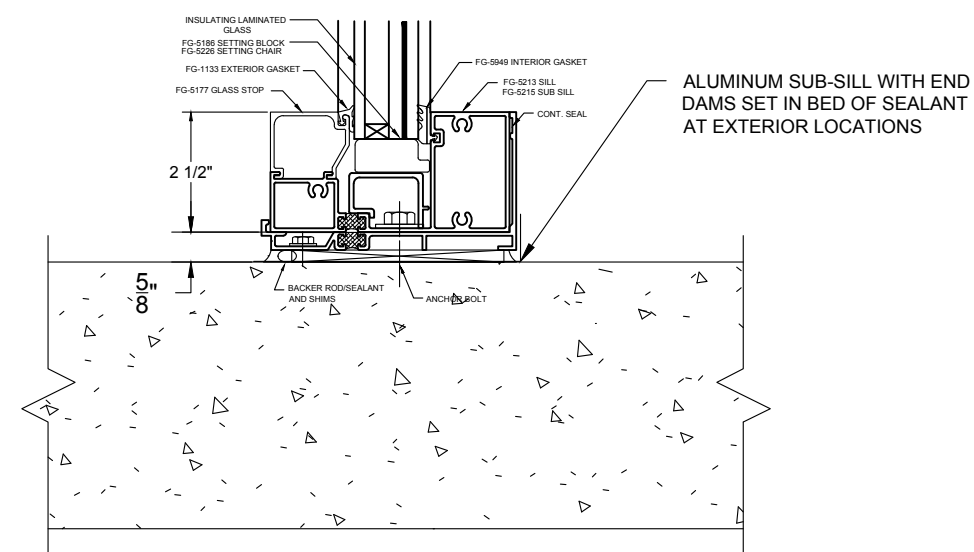
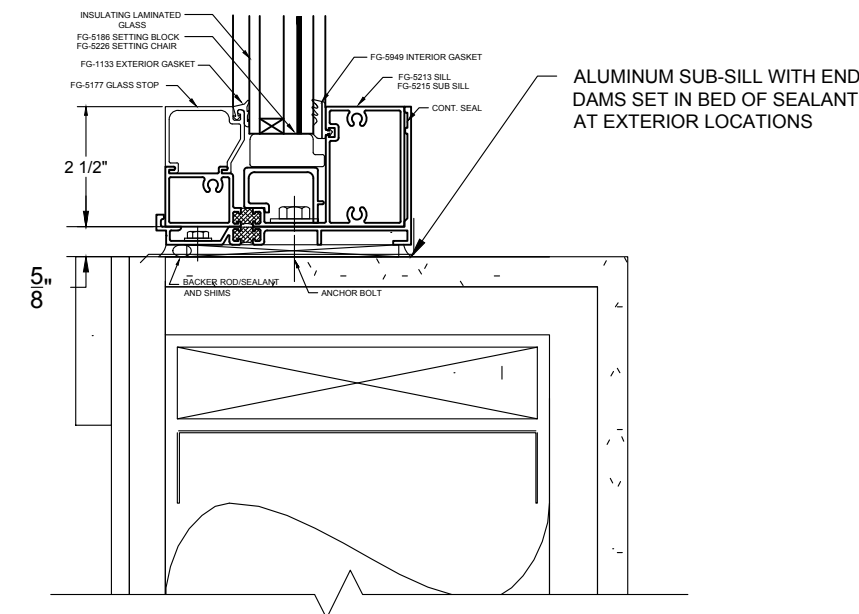
DETAIL

4

SILL

SCALE: 3" = 1'-0"
 ARCH REF: SDS/A3.1
 WS/A3.1
 S6/A3.1

GLASS WALL SYSTEM TYPE:
 OLDCASTLE, SERIES FG 5100T STOREFRONT



SIX FLAGS GLASS
 108 E AIRLINE RD VICTORIA, TX 77901
 (W) 361-573-9612 (F) 361-573-2334

PROJECT: PAWS AND TAWS
NEW BUILDING
 ARCHITECT: BURNS ARCHITECTS, LLC
 (817) 247-6640
 GENERAL CONTRACTOR: WEAVER & JACOBS CONSTRUCTORS, INC.
 (361) 277-9274

PROJECT NO.	SFG-1904-05
DRAWN BY	fp
DATE	06/05/19
SCALE	3" = 1'-0"
DRAWING	DETAILS
SHEET	D1

NO.	DATE	DESCRIPTION
1	06/05/19	First Submittal